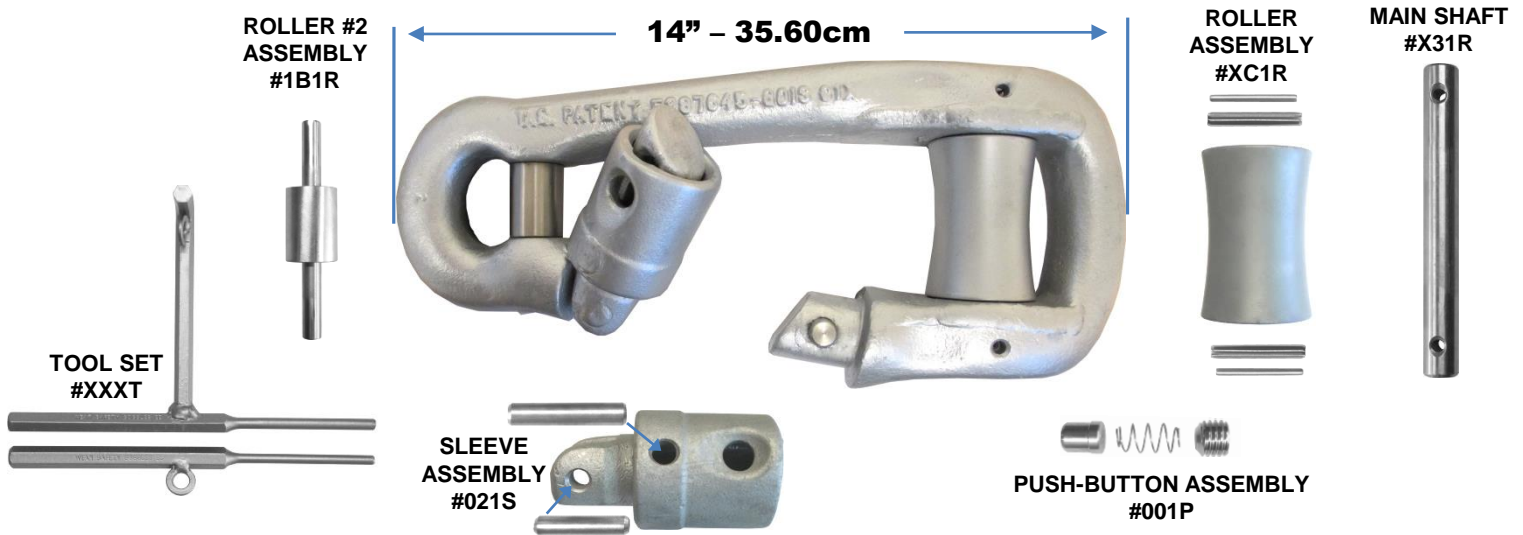


GOIS C1X



GOIS C1X
DOUBLE ROLLER PURSE RING
WITH SECURE PUSH-BUTTON LOCK

WEIGHT: 17.4 LBS / 7.9 KILOS
WORKING LOAD: 16,500 LBS / 7,484 KILOS

SPARE PARTS LIST C1X

<u>Item</u>	<u>Part No.</u>	<u>Weight</u>
Main Roller Assy.	XC1R	1.96 lbs / .89 kilos
Main Shaft	X31R	.48 lbs / .22 kilos
Sleeve Assy.	021S	1.96 lbs / .89 kilos
Roller #2	1B1R	.40 lbs / .18 kilos
Push Button Assy.	001P	.06 lbs / .027 kilos
Tool Set	XXXT	.47 lbs / .213 kilos

**ALL RING FRAMES ARE HOT DIP GALVANIZED AND
 STAINLESS STEEL HARDFACED
 TO PREVENT CORROSION AND WEAR**