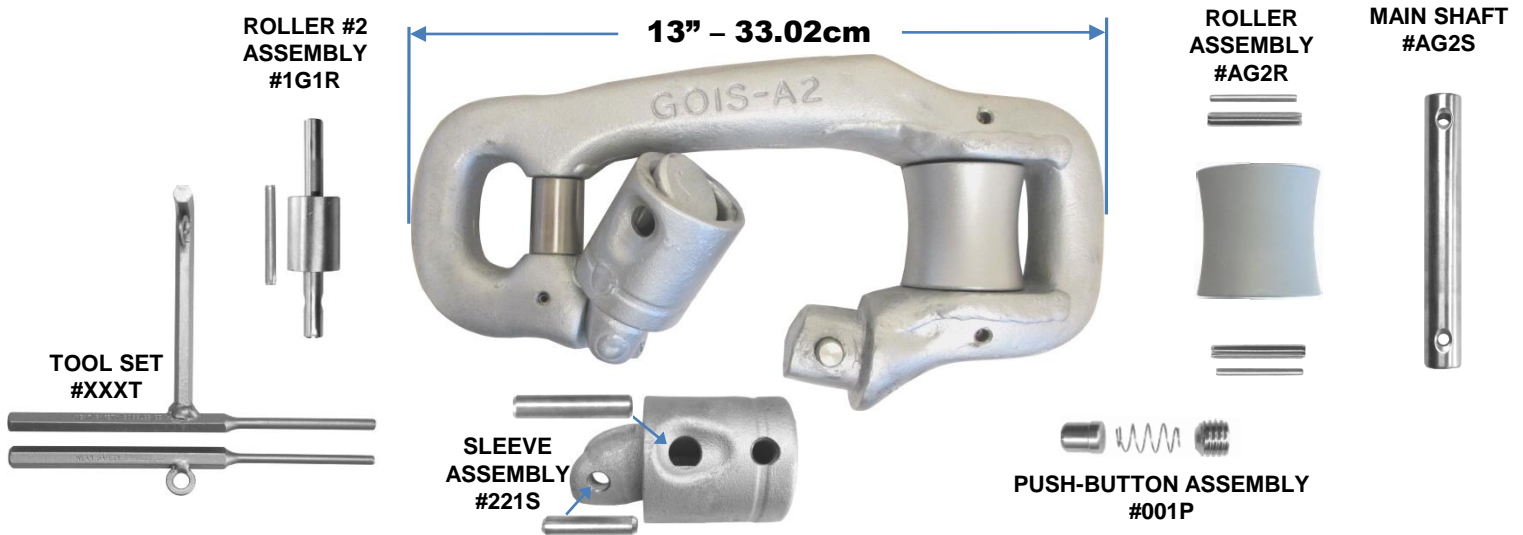


GOIS A2



GOIS A2
DOUBLE ROLLER PURSE RING
WITH SECURE PUSH-BUTTON LOCK

WEIGHT: 18.0 LBS / 8.16 KILOS
WORKING LOAD: 24,500 LBS / 11,100 KILOS

SPARE PARTS LIST A2

<u>Item</u>	<u>Part No.</u>	<u>Weight</u>
Main Roller Assy.	AG2R	1.92 lbs / .87 kilos
Main Shaft	AG2S	.56 lbs / .254 kilos
Sleeve Assy.	221S	2.05 lbs / .93 kilos
Roller #2	1G1R	.40 lbs / .18 kilos
Push Button Assy.	001P	.06 lbs / .027 kilos
Tool Set	XXXT	.47 lbs / .213 kilos

ALL RING FRAMES ARE HOT DIP GALVANIZED AND STAINLESS STEEL HARDFACED TO PREVENT CORROSION AND WEAR